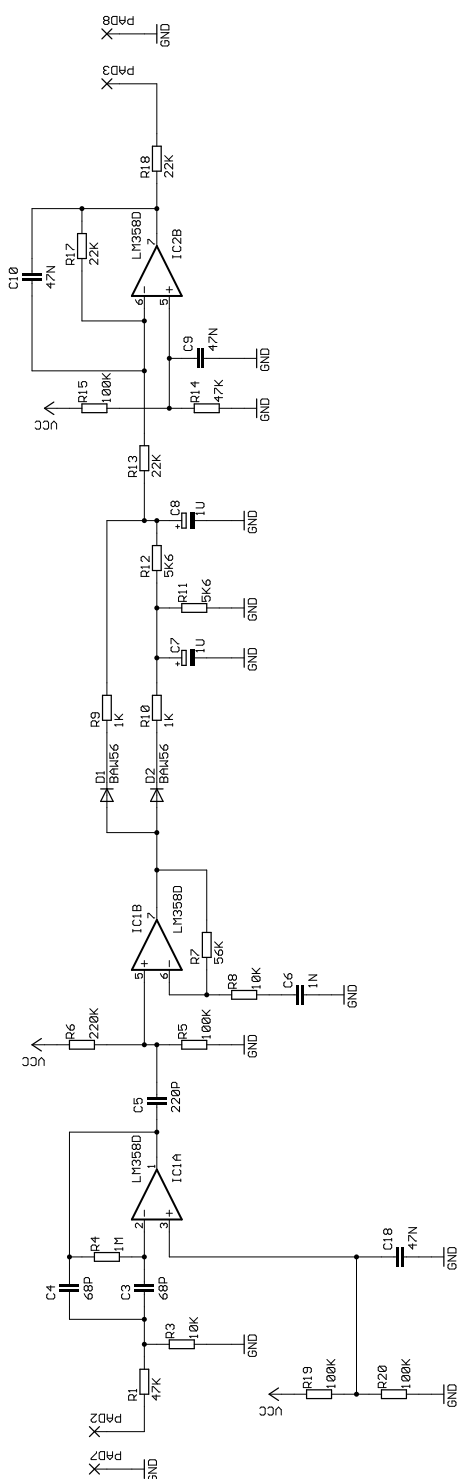
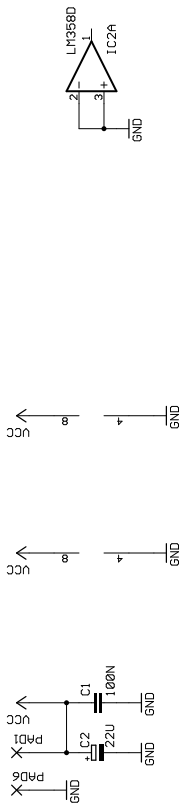


**POSSIBLE FAULTS:**

C5 should be >400 pF ??

Some timing problem in squelch tail (C7, C8,...)

If squelch level constant, check DC levels of opamps first!



Rx58 Squelch	
TITLE: RD58_Squelch	
Document Number:	REV: 0.2.1
Date: 3/30/2005 23:45:14	Sheet: 1/1

DRAN BY: 0H8HB6  
 DEBUGGED WITH: 0H2L1Y